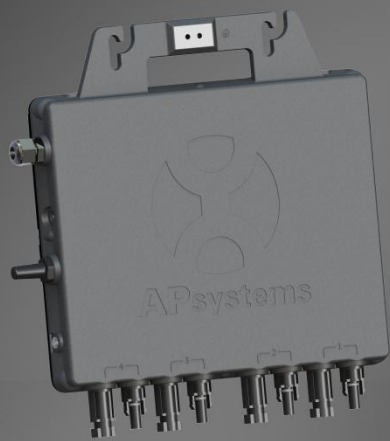




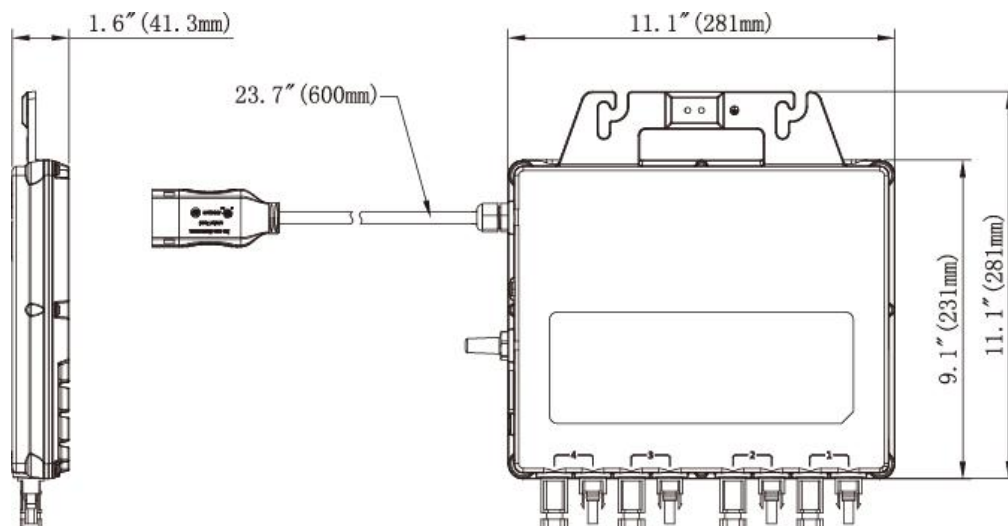
Leading the Industry in  
Solar **Microinverter** Technology



## QS1 Microinverter

- Single unit connects up to four solar modules
- 4 input channels with independent MPPT and monitoring function
- Maximum continuous output power up to 1200W
- Auto disconnection device integrated

### DIMENSIONS



The APsystems QS1 is a grid-tied microinverter with intelligent networking and advanced monitoring systems to ensure maximum efficiency. High efficiency, high reliability of the QS1 with 4 independent MPPT inputs, Maximum AC output power reaching 1200W. Quarter the inverters and quarter the installation means real cost savings for residential and commercial customers.

# QS1 Microinverter Datasheet

Region	EMEA
Model	QS1-EU
<b>Input Data (DC)</b>	
Recommended PV Module Power (STC) Range	250Wp-440Wp+
MPPT Voltage Range	22V-48V
Operation Voltage Range	16V-55V
Maximum Input Voltage	60V
Startup Voltage	20V
Maximum Input Current	12A×4
Maximum DC short circuit current	15A×4
Isc PV	14A
Max. Inverter Backfeed Current To The Array	0A
<b>Output Data (AC)</b>	
Maximum Continuous Output Power	1200W
Peak Output Power	1250W
Nominal Output Voltage/Range	230V/184-253V
Adjustable Output Voltage Range	160V-278V
Nominal Output Current	5.22A
Max output fault current	36A
Maximum output overcurrent protection	10A
Maximum Units Per Branch	3units per 20A AC breaker/4units per 25A AC breaker
Nominal Output Frequency/Range	50Hz/48-51Hz
Adjustable Output Frequency Range	45.1Hz-54.9Hz
Power Factor(Adjustable)	0.8 leading...0.8 lagging
Total Harmonic Distortion	<3%
<b>Efficiency</b>	
Peak Efficiency	96.5%
Nominal MPPT Efficiency	99.5%
Night Power Consumption	30mW
<b>Mechanical Data</b>	
Operating Ambient Temperature Range	-40°C to +65°C
Storage Temperature Range	-40°C to +85°C
Dimensions (W x H x D)	281mm × 231mm × 41.3mm
Weight	4.5kg
AC BUS Maximum Current	20A(2.5mm <sup>2</sup> )
Enclosure Environmental Rating	Outdoor - IP67
Pollution Degree Classification	PD3
Cooling	Natural Convection - No Fans
Operate relative humidity range	4%~100%
Maximum altitude	<2000m
Overvoltage Category	OVC II For PV Input Circuit, OVC III For Mains Circuit
<b>Features &amp; Compliance</b>	
Communication	Wireless
Transformer Design	High Frequency Transformers, Galvanically Isolated
Monitoring	Via EMA* Online Portal
Warranty	10 Years Standard ; 20 Years Optional
<b>Certificate&amp;Compliance</b>	
Safety And EMC Compliance	EN 62109-1;EN 62109-2;EN 61000-6-1;EN 61000-6-2; EN 61000-6-3;EN 61000-6-4
Grid Connection Compliance	VDE0126-1-1/A1 VFR2014,ERDF-NOI-RES_13E,UTE C15-712-1, EN 50438,EN50549-1

\*APSystems online Energy Management Analysis (EMA) platform

© All Rights Reserved

Specifications subject to change without notice please ensure you are using the most recent update found at [www.APSystems.com](http://www.APSystems.com)

Rue des Monts d'Or, ZAC de Follieuses Sud-Les Echets ,01700 Miribel, France

Email: [emea@APSystems.com](mailto:emea@APSystems.com) |Tel: +33-481-65-60-40

2020/04/13 Rev1.4

1