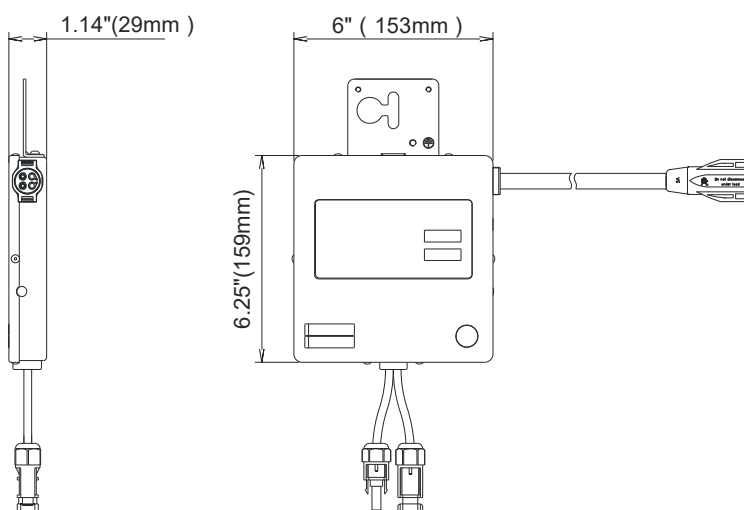


YC250I

Microinverter

- Single unit connects one solar module
- Maximum output power 330W
- Individual MPPT for each module
- Rated up to 395W for each input channel

DIMENSIONS



Our flagship product, the APsystems YC250I is a grid-tied microinverter with intelligent networking and monitoring systems to ensure maximum efficiency. Highly dependable and cost effective, YC250I handles up to 395W modules with negligible clipping.

YC250I Microinverter Datasheet

Model YC250I-EU

Input Data (DC)

Recommended PV Module Power (STC)Range	250W-395W
MPPT Voltage Range	22V-45V
Operation Voltage Range	16V-52V
Maximum Input Voltage	55V
Startup Voltage	22V
Maximum Input Current	12A
Maximum DC Short Circuit Current	15A

Output Data (AC)

Rated Output Power	250W
Maximum Output Power	330W
Nominal Output Voltage	230V
Nominal Output Current	1.43A
Default/Protect Output Voltage Range	184-253V*
Extended/Reconnect Output Voltage Range	149-278V
Nominal Output Frequency	50Hz
Default/Protect Output Frequency Range	48-51Hz*
Extended/Reconnect Output Frequency Range	45.1-54.9Hz
Power Factor	>0.99
Total Harmonic Distortion	<3%

Efficiency

Max. Inverter Efficiency	95.5%
Night Power Consumption	120mW

Mechanical Data

Operating Ambient Temperature Range	-40 °C to +65 °C
Storage Temperature Range	-40 °C to +85 °C
Dimensions (W x H x D)	160mm X 150mm X 29mm
Weight	1.5kg
AC BUS Maximum Current	20A
Enclosure Rating	IP67
Cooling	Natural Convection - No fans

Features & Compliance

Communication	Power line communication
Monitoring	Via EMA** software
Transformer design	High frequency transformers, galvanically isolated
Safety and EMC Compliance	EN 62109-1; EN 62109-2;EN61000-6-1; EN61000-6-2; EN61000-6-3; EN61000-6-4;
Grid Connection Compliance	EN50438

*Programmable through ECU to meet customer need.

**Energy Management Analysis

© All Rights Reserved

Specifications subject to change without notice - please ensure you are using the most recent update found at www.APsystems.com

Cypresbaan 7, 2908LT, Capelle aan den IJssel, The Netherlands | 0031-10-2582670 | APsystems.com